

TECHNI-PURE SR SINGLE ROUND SANITARY FILTER HOUSINGS



TECHNISERV, INC.

Bioprocess Equipment Specialists




TECHNISERV, INC.
Process & Automation Solutions
33 South Eaton Street, Berwyn, PA 18803-4241
Phone: (570) 759-2315 www.techniserv.com

TECHNI-PURE SR SERIES
MAX OPERATING CONDITIONS
15 BAR (145 PSI) AT 25°C (77°F)
2 BAR (15 PSI) AT 145°C (293°F)
CAT NO: S1TR1TCNSEN
SERIAL NO: 0HTS170054
YEAR OF MFG: 2017
VOLUME: 144 LITERS
PRESSURE TESTED AT 15 BAR (217.3 PSI)

TAG NO: DP955-FV-95508

CAUTION
USE OF THIS PRODUCT ABOVE
MAX OPERATING CONDITIONS
MAY CAUSE SERIOUS INJURY



TECHNI-PURE SR SERIES

SINGLE ROUND FILTER HOUSINGS

Techniserv, Inc. is proud to offer the TECHNI-PURE SR Series single round filter housing product line to meet the demands of the pharmaceutical and biotech industries. We strive to maintain the consistency of quality, fit and finish that our customers demand. All wetted materials of construction are 316L Stainless Steel with a variety of elastomer seals to meet the process requirements of your systems.

FEATURES AND BENEFITS

- Inline and T-Style configurations as well as custom designs available
- Variety of Inlet / Outlet, Drain and Vent connections available
- Code 7 Bases with Recessed or Wire Form filter connections
- 316L SS is standard for wetted metal components.
Other alloys available upon request.
- Complete documentation package includes material traceability for metal and elastomeric materials
- ASME Section VIII “U” and “UM” Stamp or PED “CE” Certification available when required by code
- Custom designs for specific applications are accepted for review and quotation



TECHNISERV, INC.
Bioprocess Equipment Specialists

SPECIFICATIONS

MATERIALS

Housing	316L Stainless Steel
Clamp	304 Stainless Steel
Gasket	Silicone, EPDM, PTFE, FKM, USP Class VI
Plunger Valve O-rings	Silicone, EPDM, USP Class VI
Plunger Valve Stem Tip	PTFE

SURFACE FINISH-WETTED SURFACES:

- 15Ra µin Max Electropolished and Passivated
- 20Ra µin Max Mechanically Polished and Passivated

EXTERIOR SURFACE FINISH:

- 32Ra µin Max Mechanically Polished

MAXIMUM OPERATING CONDITIONS:

- 10 Bar (145psi) at 25°C (77° F)
- 3.2 Bar (46.4 psi) at 145° C (293° F)

CARTRIDGE CONNECTION:

- 2-226 O-Rings with Locking Tabs (Code 7)



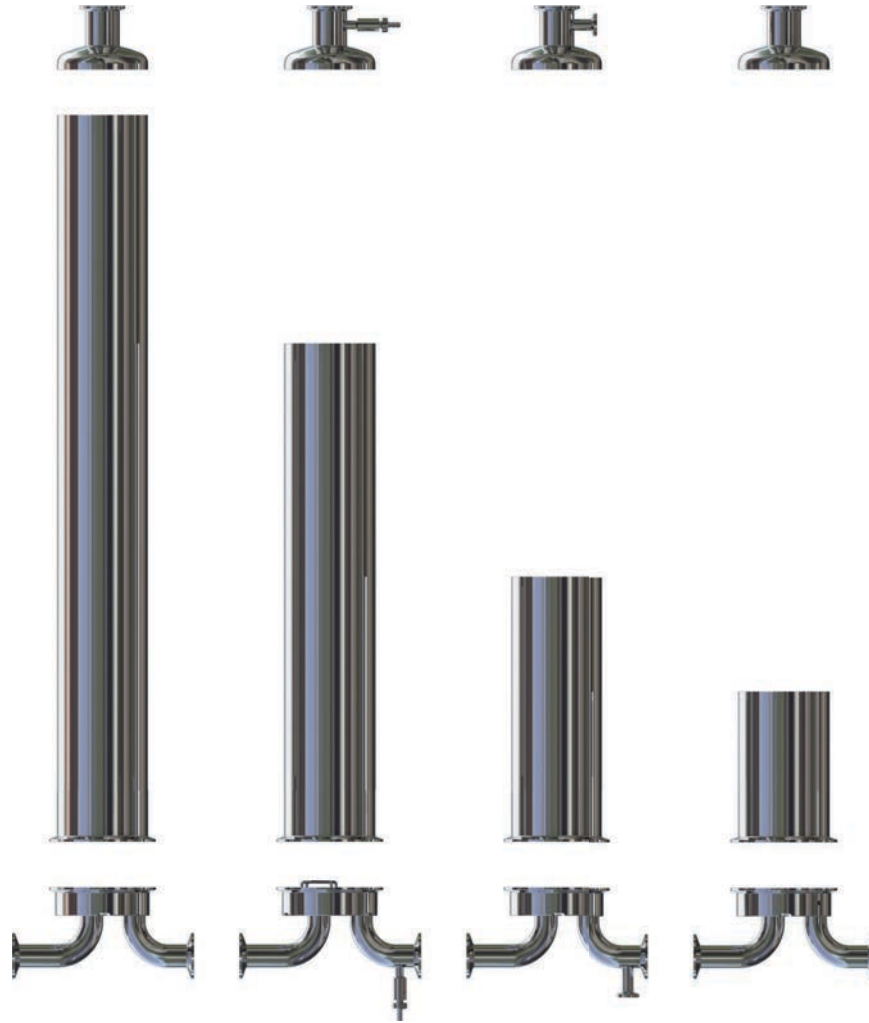
PHYSICAL CHARACTERISTICS

		T-Style					In-Line		
Cartridge Size	Connection Type	Height [A] (Inches)	Width [B] (Inches)	Base [C] (Inches)	Housing Weight (Dry)	Internal Volume [Liters]	Height [A] (Inches)	Housing Weight (Dry)	Internal Volume [Liters]
5.00"	2-226 O-Ring Wire	12.72	7.88	3.02	9.1 lbs.	1.46	11.19	7.3 lbs.	1.44
	2-226 O-Ring Recess	12.72	7.95	3.27	8.5 lbs.	1.46	11.19	6.7 lbs.	1.44
10.00"	2-226 O-Ring Wire	17.72	7.88	3.02	10.6 lbs.	2.46	16.19	8.9 lbs.	2.44
	2-226 O-Ring Recess	17.72	7.95	3.27	10.2 lbs.	2.46	16.19	8.3 lbs.	2.44
20.00"	2-226 O-Ring Wire	27.72	7.88	3.02	13.6 lbs.	4.36	26.19	11.7 lbs.	4.33
	2-226 O-Ring Recess	27.72	7.95	3.27	13.0 lbs.	4.36	26.19	11.2 lbs.	4.33
30.00"	2-226 O-Ring Wire	37.21	7.88	3.02	16.3 lbs.	6.26	35.68	14.6 lbs.	6.22
	2-226 O-Ring Recess	37.21	7.95	3.27	16.0 lbs.	6.26	35.68	14.0 lbs.	6.22



TECHNISERV, INC.
Bioprocess Equipment Specialists

TECHNI-PURE SR



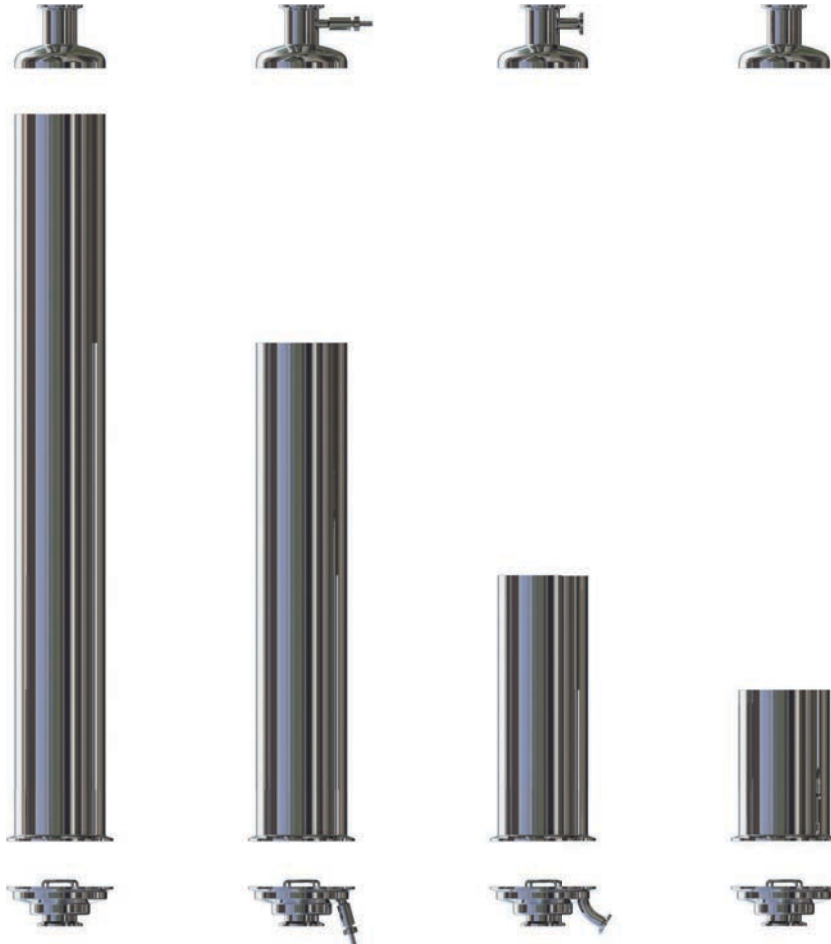
T-STYLE FILTER HOUSING CONFIGURATIONS

Configuration	Filter Height	Base Style	Filter Capture Type	Inlet/Outlet Size	Connection Type	Accessory Port Types	Bell Port Type	Base Port Type	Seal Material	Internal Finish	Code	-	Options
Single Round	5 in.	T-Style	CODE 7 Recessed		Sanitary Clamp	None	N	N	EPDM Class VI	None (SF0)	N/A	N	Jacket
Multi-Round	10 in.	In Line	CODE 7 Wire	.75 in.	Buttweld	.50 in. Clamp	C5	C5	FKM	20Ra Mech (SF1)	PED	P	Heat Blanket
No. of Cartridges	20 in.	J-Style		1.0 in.	ISO DIN Clamp	.75 in. Clamp	C7	C7	PTFE	15Ra EP (SF4)	ASME U	U	External EP
Documentation Level Select	30 in.	L-Style		1.5 in.	DIN Clamp	Diaphragm Valve	D	D	Plat Cured SII Class VI		ASME UM	UM	Legs
Standard	40 in.					Sample Valve	S	S					
CLICK FIELD TO BUILD PART # --->	S	5	T	R	15	TC	C5	C5	E	E	N	-	



TECHNISERV, INC.
Bioprocess Equipment Specialists

TECHNI-PURE SR



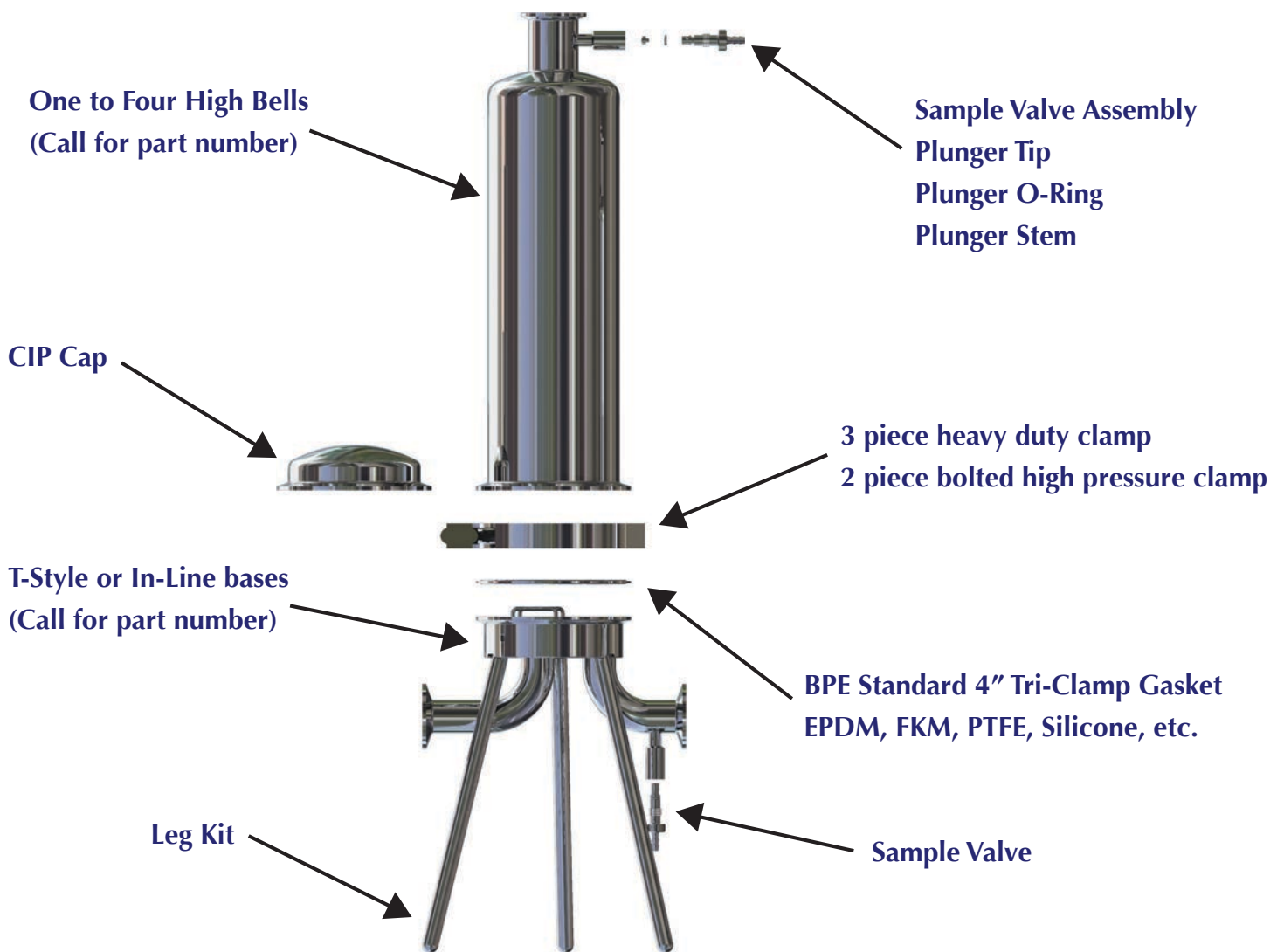
INLINE FILTER HOUSING CONFIGURATIONS

Configuration	Filter Height	Base Style	Filter Capture Type	Inlet/Outlet Size	Connection Type	Accessory Port Types	Bell Port Type	Base Port Type	Seal Material	Internal Finish	Code	-	Options
Single Round	5 in.	T-Style	CODE 7 Recessed		Sanitary Clamp	None	N	N	EPDM Class VI	None (SF0)	N/A	N	Jacket
Multi-Round	10 in.	In Line	CODE 7 Wire	.75 in. 75	Buttweld	.50 in. Clamp	C5	C5	FKM	20Ra Mech (SF1)	PED	P	Heat Blanket
No. of Cartridges	20 in.	J-Style	CODE 0	1.0 in. 1	ISO DIN Clamp	.75 in. Clamp	C7	C7	PTFE	15Ra EP (SF4)	ASME U	U	External EP
Documentation Level Select	30 in.	L-Style		1.5 in. 15	DIN Clamp	Diaphragm Valve	D	D	Plat Cured SII Class VI		ASME UM	UM	
Standard	40 in.					Sample Valve	S	S					
CLICK FIELD TO BUILD PART # --->	S	5	S	R	15	TC	C5	C5	E	E	N	-	



SPARE PARTS

Once TECHNI-PURE SR series housings are in service, over a period of time it may be necessary to replace components including plunger valve kits, clamps and clamp gaskets. Should a shell or base component become damaged, replacements for these items are available. In addition to replacement parts, Techniserv also offers a complete line of Clean In Place (CIP) caps and leg assemblies. Please consult with our technical team before ordering.

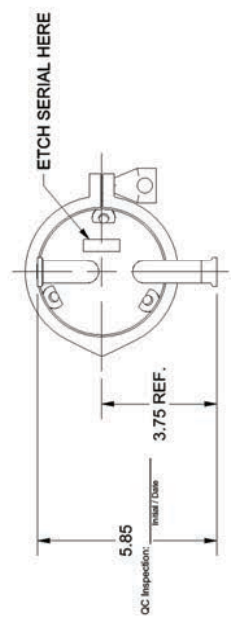
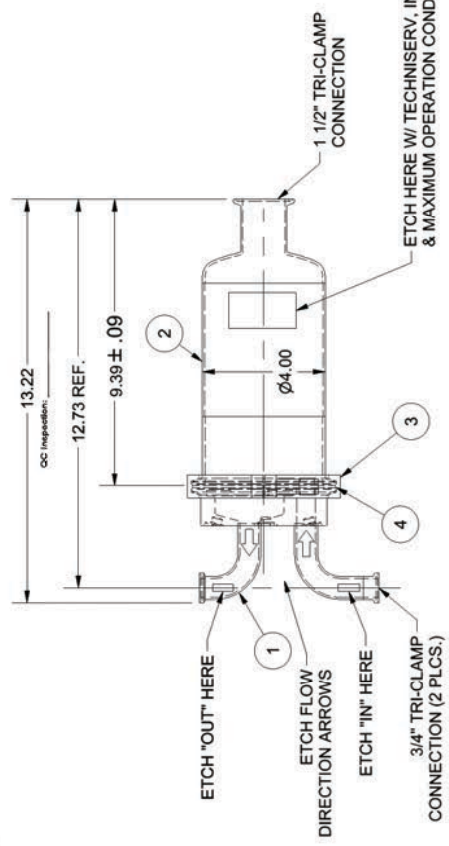
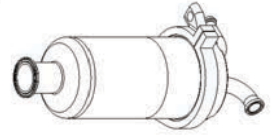


Notes:

- 1) Materials: Housing - 316L S/S
Weld Wire - 317L S/S
Clamp - 304 S/S
Elastomers - USP Class VI Platinum Cured Silicon
2) Finish: Internal - < 15 Micro Inch Ra, Welds Flush & Blended, Electropolished & Citric Passivated
External - < 32 Micro Inch Ra, Welds Flush & Blended, Citric Passivated
(External elbow to Base Welds Shined Only)
- 3) Maximum Operating Conditions: 10 Bar (145 psi) at 25°C (77°F)
3.2 Bar (46.4 psi) at 145°C (293°F)
- 4) Tags And / Or Etches to Be On Natural Centerlines
- 5) Compliance with BPE 3.8.1
- 6) Tag / SN Numbers: FI-5227 / TSFH160007

Bill Of Material

ITEM	QTY	DESCRIPTION	MATERIAL	PART NUMBER
1	1	BASE ASSEMBLY, RECESSED	Stainless Steel, 316L	TS-BASE-SR00006
2	1	BELL ASSEMBLY	Stainless Steel, 316L	TS-BELL-SR00012
3	1	Sanitary Clamp, 4" 2-Segment Double Hinge w/ Hole	Stainless Steel, 304L	13MHMD4.0
4	1	4" T/C Gasket	Class VI Platinum Cured Silicon	40RX-PX-400



TECHNISERV PROJ. NO.:
TECHNISERV P/N: S5TR75TCNNSEN
SN: See Notes
Customer PO:
Tag No.: See Notes

TECHNISERV, INC.
351 SOUTH EATON STREET, BERWICK, PA 18603
Phone: 570-759-2315 Fax: 570-759-2785

Scale: _____ Date: 11/17/2016
Drawn by: M Ditz

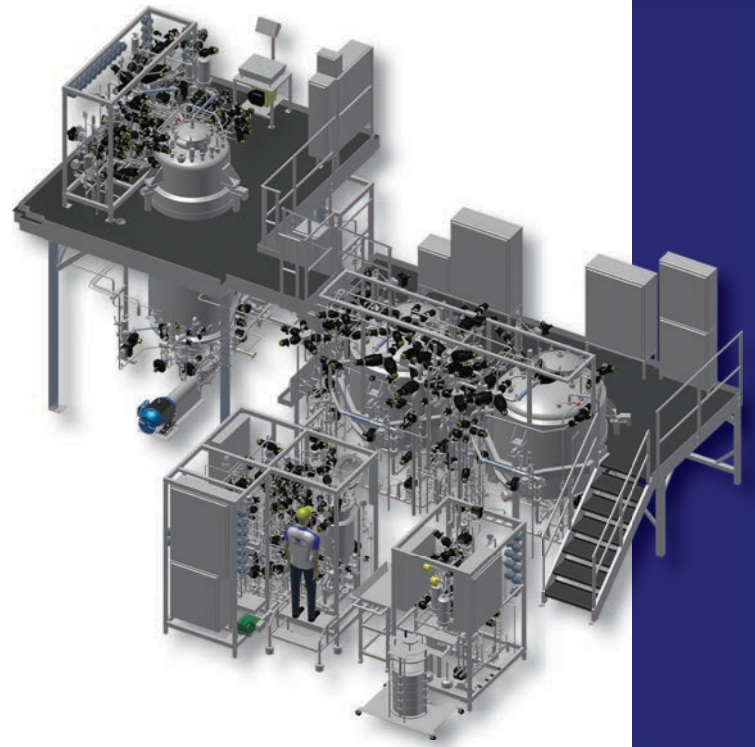
1 Rd 5" High, T-Style Code 7 Housing
Drawing No. S5TR75TCNNSEN
Sheet 1 OF 1
Revision 0

CONFIDENTIAL
THIS DRAWING IS THE PROPERTY OF TECHNISERV, INC.
IS THE CONFIDENTIAL PROPERTY OF TECHNISERV, INC.
USE OR DUPLICATION IN PART OR WHOLE WITHOUT THE
EXPRESSED WRITTEN CONSENT OF TECHNISERV, INC. IS
STRICTLY PROHIBITED.

ISSUED FOR CONSTRUCTION	21DEC16	MD
ISSUED FOR APPROVAL	17NOV16	MD
DESCRIPTION	DATE	BY
REVISION HISTORY		



Established in 1982, **Techniserv, Inc.** is a custom equipment manufacturer located in Berwick, Pennsylvania, USA. We provide components and fully integrated equipment for the food, fine chemical, pharmaceutical, and biotech industries.



Contact:

sales@techniservinc.com

Ph. 570-759-2315

351 S. Eaton St., Berwick, PA 18603

www.techniservinc.com