

TECHNI-PURE SV

PROCESS SAMPLE VALVES



**TECHNISERV, INC.**  
*Bioprocess Equipment Specialists*





**TECHNISERV, INC.**  
*Bioprocess Equipment Specialists*

## TECHNI-PURE SV

### PROCESS SAMPLE / VENT VALVES

**Techniserv, Inc.** is proud to offer the TECHNI-PURE SV Series Clamp Mount Sanitary Sample and Vent Valve product line to meet the demands of the pharmaceutical and biotech industries. With this offering we strive to maintain the consistency of quality, fit and finish that our customers have come to expect from Techniserv, Inc. products.

#### FEATURES AND BENEFITS

- TC Mount in 3/4", 1" and 1-1/2" sizes with 90° angled outlet
- Concentric or Eccentric inlet connections to assure drain-ability
- Tube end, hose barb or 1/2" TC outlet connections available
- 316L-SS provided for all product wetted metal parts
- All elastomers are of Class VI material
- Two seat seal methods available: PTFE face seal or oring (soft) seal
- Flush (0.020") seal to process
- Materials compatible with Autoclaving
- Technopolymer operating knob to reduce operator hazard
- Each valve etched with Model, Tag No. and Serial No.
- GMP Documentation package available with each valve including:
  - Order Processing Sheet
  - Material Cert's
  - Elastomer C of C's
  - Passivation and Surface Finish Cert's
  - Assembly Drawing w/BOM



**TECHNISERV, INC.**  
Bioprocess Equipment Specialists

## SPECIFICATIONS

### MATERIALS

|                 |   |
|-----------------|---|
| Valve Body      | 316L Stainless Steel                    |
| Valve Plug      | 316L Stainless Steel                    |
| Seat Seal       | PTFE, EPDM, FKM, Silicone, USP Class VI |
| Valve Plug Seal | EPDM, FKM, Silicone, USP Class VI       |
| Knob            | Polypropylene (Technopolymer)           |
| Set Screw       | 18-8 Stainless Steel                    |
| Snap Ring       | 15-7 PH Stainless Steel                 |

### FINISH - WETTED SURFACES:

- 15Ra uin Max. Electropolished and Passivated
- 20Ra uin Max. Mechanically Polished and Passivated

### FINISH - EXTERNAL SURFACES:

- 32Ra uin Max. Mechanically Polished

### MAXIMUM OPERATING CONDITIONS:

- 10 Bar (145 psig) at 25° C (77° F)
- 2.1 Bar (30 psig) at 134° C (273° F) (Elastomer Rating)





## CONFIGURATION

### BODY STYLES:

Four 90° angled outlet body styles are available, as follows:

- 3/4" TC Concentric Inlet                      1" and 1-1/2" TC Concentric Inlet
- 1" TC Eccentric Inlet                              1/1/2" TC Eccentric Inlet

Eccentric bodies are designed to be attached to a horizontal process tube providing a low point drain tangent to the ID of the TC gasket.

Concentric bodies are designed for use in instances where the valve is attached to a process TC facing up or down.

### OUTLET CONNECTIONS:

Hose Barb, OD Tube End and 1/2" TC. Hose Barb and OD Tube End are available in 1/4", 3/8" and 1/2" sizes.

Available valve seat seals:



### PART NUMBER SELECTION (Example):

## SAMPLE VALVE CONFIGURATIONS

| BODY STYLE                 | INLET SIZE | OUTLET CONN. | OUTLET SIZE | ORING MATERIAL            | INTERNAL FINISH   | CODE     | VALVE SEAT    |
|----------------------------|------------|--------------|-------------|---------------------------|-------------------|----------|---------------|
| Concentric                 | C 3/4"     | 3 Tube Stub  | T 1/4"      | 2 EPDM Class VI           | E None (SF0)      | N N/A    | N ORING       |
| Eccentric                  | E 1"       | 1 Hose Barb  | H 3/8"      | 3 FKM (VITON) Class VI    | F 25Ra Mech (SF1) | M PED    | P PLUG (PTFE) |
| Rebuild Kit                | K 1-1/2"   | 15 Clamp     | C 1/2"      | 4 Plat Cured Sil Class VI | S 20Ra EP         | E        |               |
| Documentation Level Select |            |              |             |                           |                   |          |               |
| None                       |            |              |             |                           |                   |          |               |
| <b>TS-SV-</b>              | <b>C</b>   | <b>15</b>    | <b>H</b>    | <b>4</b>                  | <b>S</b>          | <b>E</b> | <b>N</b>      |



**TECHNISERV, INC.**  
*Bioprocess Equipment Specialists*

## SPARE PARTS

Once TECHNI-PURE SV sample valves are in service, over a period of time it will be necessary to replace the elastomers and possibly some other components. Techniserv offers a rebuild kit that provides all of the wearing and elastomeric parts that would normally be needed to restore a valve back to optimum condition. All that is required to order the correct kit part number is the “Oring Material” and “Valve Seat” codes from the valve model number to be rebuilt.

The Rebuild Kit part number has the form:

TS-SV-K(Oring Mat'l Code)(Valve Seat Code).

For example, the Rebuild Kit for the sample valve defined by the configurator on the previous page of this brochure would be: TS-SV-KSP

If the valve body or the valve plug need to be replaced, you will need to contact Techniserv for price and delivery of these items.



## VALVE BODY TYPES



TS-SV-C3H2-ENP—3/4"TC x 1/4" Hose Barb



TS-SV-C1C4-ENP—1-1/2"TC x 1/2" TC



TS-SV-E1C4-EPP—1"TC Eccentric x 1/2" TC



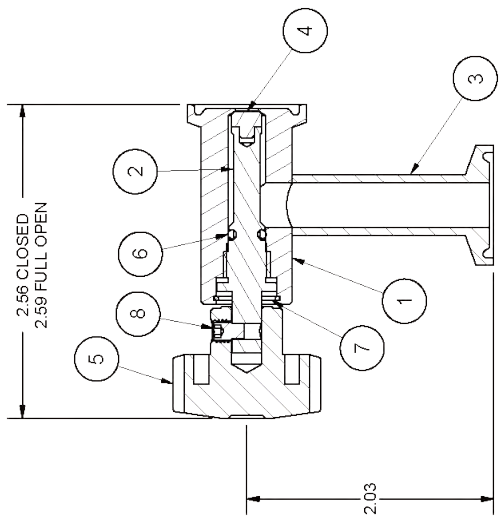
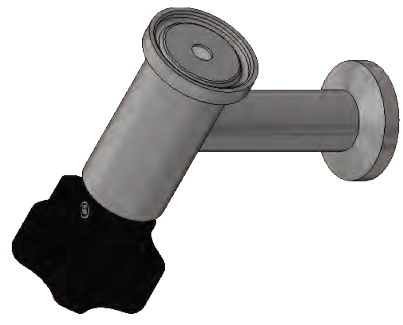
TS-SV-E15C4-EPP—1-1/2"TC Eccentric x 1/2" TC



| ITEM |   | QTY | DESCRIPTION                          | VENDOR          | PART NUMBER      | MATERIAL                      |
|------|---|-----|--------------------------------------|-----------------|------------------|-------------------------------|
| 1    | 1 | 1   | .75 TC x .37 Dia Outlet SV Body      | TECHNISERV Inc. | TS-SV-0004       | Stainless Steel, 316L         |
| 2    | 1 | 1   | Valve, Plug                          | TECHNISERV Inc. | TS-SV-0005       | Stainless Steel, 316L         |
| 3    | 1 | 1   | .50 Ferrule w/ .375 Coped Radius     | TECHNISERV Inc. | TS-SV-0009       | Stainless Steel, 316L         |
| 4    | 1 | 1   | Seal, PTFE Tip, Plug Stem            | TECHNISERV Inc. | TS-PV-SR00004    | PTFE                          |
| 5    | 1 | 1   | Lobe Knob with Red Center Cap        | ELESA           | VCT.32 B-1/4-C6  | Polypropylene / Technopolymer |
| 6    | 1 | 1   | O-ring, 2-008, Class VI              | Newman          | See O-Ring Table | See O-Ring Table              |
| 7    | 1 | 1   | Internal Retaining Ring, for 1/2" ID | McMaster Carr   | 91580A151        | Stainless Steel, 15-7         |
| 8    | 1 | 1   | 10-32 x .375 XL Ext Point Set Screw  | McMaster Carr   | 95289A026        | Stainless Steel, 18-8         |

Notes:

- 1) Materials: Housing - 316L S/S
- 2) Finish: Internal: <20 Micro Inch Ra, Welds Flush & Polished, Electropolished & Citric Passivated (Optional)  
External: <32 Micro Inch Ra, Welds Brushed, Citric Passivated
- 3) Maximum Operating Conditions: Temperature: 135 C (275 F)  
Pressure: 150 psig (10.3 Bar)



| REV | DESCRIPTION             | DATE    | BY |
|-----|-------------------------|---------|----|
| 0   | ISSUED FOR CONSTRUCTION | 15FEB19 | MD |
| A   | ISSUED FOR APPROVAL     | 31JAN19 | MD |

REVISION HISTORY

**TECHNISERV, INC.**  
 351 SOUTH EATON STREET, BERWICK, PA 18603  
 Phone: 570-759-2315

Scale: 1:1  
 Drawn by: mike\_dltz  
 Date: 1/30/2019

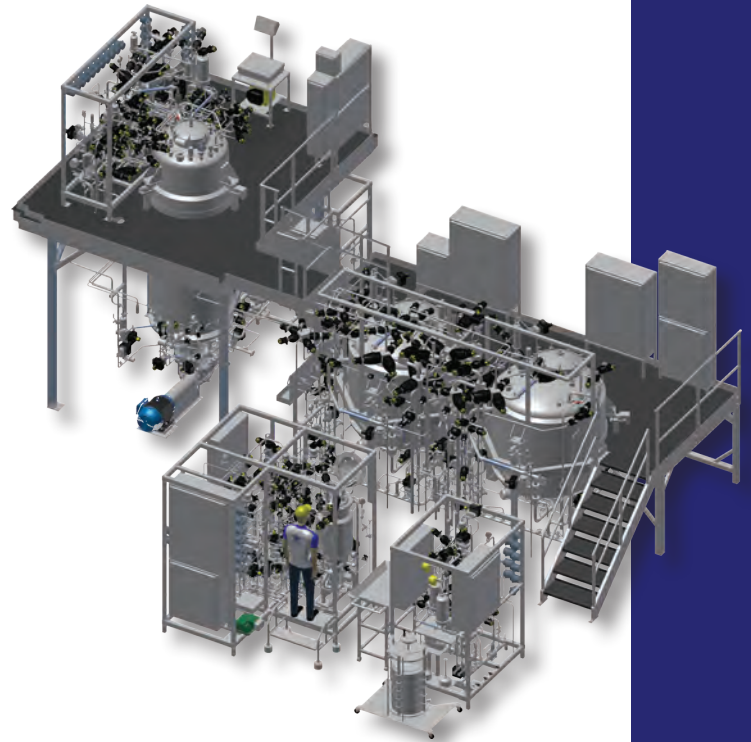
SAMPLE VALVE, CONCENTRIC w/ PLUG TIP  
 .75 TC X .50 TC  
 Drawing No. TS-SV-C3C4\_EPP  
 Sheet 1 OF 1  
 Revision 0

| O-Ring Table |          |
|--------------|----------|
| Code         | Part No. |
| E            | 2-008-E  |
| F            | 2-008-F  |
| S            | 2-008-s  |

**CONFIDENTIAL**  
 THIS DRAWING AND ALL ASSOCIATED DOCUMENTATION ARE THE PROPERTY OF TECHNISERV, INC. ANY REUSE OR REPRODUCTION IN PART OR WHOLE WITHOUT THE EXPRESS WRITTEN CONSENT OF TECHNISERV, INC. IS STRICTLY PROHIBITED.



Established in 1982, **Techniserv, Inc.** is a custom equipment manufacturer located in Berwick, Pennsylvania, USA. We provide components and fully integrated equipment for the food, fine chemical, pharmaceutical, and biotech industries.



**Contact:**

[sales@techniservinc.com](mailto:sales@techniservinc.com)

Ph. 570-759-2315

351 S. Eaton St., Berwick, PA 18603

[www.techniservinc.com](http://www.techniservinc.com)