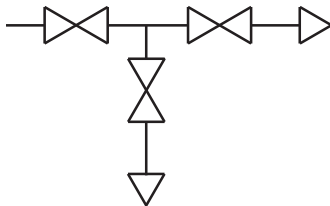


# Double Block & Bleed, Hard Seat

## 3070 SERIES



### Flow Schematic



- Combines isolating and venting in a single valve, eliminating the need for tubing and fittings
- Block valve isolates the downstream process fluids, and the bleed valve exhausts upstream fluids enabling instruments to be removed without disturbing the permanent piping installation on the bottom
- The 1/4" NPT vent plug is located 90° to the left and may be removed and replaced with exhaust piping to direct the fluids to a safe location
- 100% helium leak tested to  $1 \times 10^{-4}$  ml/s for performance and reliability
- Blow-out proof stem provides a secondary stem seal in the full open position
- FKM o-ring seal and PTFE back-up ring below the stem threads to protect from corrosion and galling; PTFE or Graphite packing optional
- All stem threads are rolled for strength and ease of operation
- One-piece bonnet with a metal-to-metal seal to the valve body below the bonnet threads
- Slotted spring pin to prevent accidental loosening
- Vinyl dust cap for bonnet and stem (non-packing)

### SPECIFICATIONS

<b>Materials</b>	Zinc-Nickel plated Steel, electropolished 316 Stainless Steel*
<b>Connection</b>	1/2" & 1/4" NPT Male-female & Female-female configurations available, right venting optional
<b>Pressure rating**</b>	10,000 psi @ 200 °F
<b>Orifice size</b>	0.187"
<b>Flow coefficient</b>	$C_v$ 0.44
<b>Stem seal &amp; type</b>	All 316 Stainless Steel stems with FKM o-ring and PTFE back-up ring below the threads, PTFE or Graphite packing optional
<b>Length</b>	4" standard and 5-3/8" extended length available
<b>Options</b>	Panel mountings, o-ring materials, handles, packings, regulating stem and stem tips
<b>Weight</b>	Approximately 3.2 lb.

\* All 316SS products meet the requirements of NACE MR0175/ISO 15156-3.

\*\* If a packing option is chosen, maximum pressure rating is 6,000 psi. Refer to the "Pressure vs. Temperature: Packing Style with Compatible Fluid" chart at the back of this catalog.

For NOSHOK Valves with Steel valve types:



**WARNING:** This product can expose you to chemicals including Lead, which is known to the State of California to cause cancer and birth defects or other reproductive harm. For more information go to [www.P65Warnings.ca.gov](http://www.P65Warnings.ca.gov)

For NOSHOK Valves with Stainless Steel valve types:



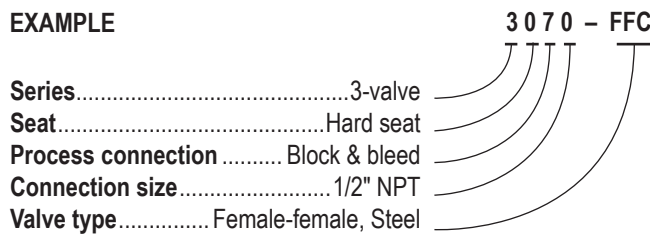
**WARNING:** This product can expose you to chemicals including Chromium (VI) and Nickel, which are known to the State of California to cause cancer and birth defects or other reproductive harm. For more information go to [www.P65Warnings.ca.gov](http://www.P65Warnings.ca.gov)

**NOTE:** All NOSHOK valve products conform to the MSS SP-99 instrument valves standards, and valves supplied with packing also conform to MSS SP-132 compression packing systems for instrument valves standard.

ORDERING INFORMATION			
SERIES	3	3-valve	
SEAT	0	Hard seat	
PROCESS TYPE	7	Block & bleed	
CONNECTION SIZES	0	1/2" NPT	2 1/4" NPT
VALVE TYPES	MFC	Male-Female, Steel	FMC Female-Male, Steel
	MFCR	Male-Female, Steel, Right Vent	EFMC Extended Female-Male, Steel
	EMFC	Extended Male-Female, Steel	FMS Female-Male, Stainless Steel
	MFS	Male-Female, Stainless Steel	EFMS Extended Female-Male, Stainless Steel
	MFSR	Male-Female, Stainless Steel, Right Vent	FFC Female-Female, Steel
	EMFS	Extended Male-Female, Stainless Steel	FFCR Female-Female, Steel, Right Vent
			EFFC Extended Female-Female, Steel
			FFS Female-Female, Stainless Steel
			FFSR Female-Female, Stainless Steel, Right Vent
			EFFS Extended Female-Female, Stainless Steel

Please consult your local NOSHOK Distributor or NOSHOK, Inc. for availability and delivery information.

**EXAMPLE**



To meet all of your specific application requirements, the following **additional options** are available for these needle valves. To order all or any of these options, simply add them to the part number as shown in the diagram below.

**NOTE 1:** The example shown includes **ALL possible additional options**. Please include **ONLY the options required for your application when building your part number.** (EXAMPLE: 3070-FFC-HL5)

**NOTE 2:** When a packing option is selected, an o-ring option is NOT available.

ORDERING INFORMATION - ADDITIONAL OPTIONS			
PACKINGS†	P1	PTFE	P2 Graphite
STEM TIPS	T1	Non-rotating (316 Stainless)	T6 Ball (carbide)
	T5	Ball (440C Stainless)	T7 Ball (ceramic)
			T8 Ball (Monel)
			T9 Non-rotating regulating (316 Stainless)
O-RINGS*	EM1	EPDM	KZ1 FFKM (Kalrez® 3018 or equivalent)
			NB1 NBR
HANDLES	HL1	1-13/16" Mini "T"	HL3 1" Round knurled
	HL2	2-1/2" "T"	HL4 1-3/8" Phenolic
			HL5 1-3/4" Phenolic

Please consult your local NOSHOK Distributor or NOSHOK, Inc. for availability and delivery information.

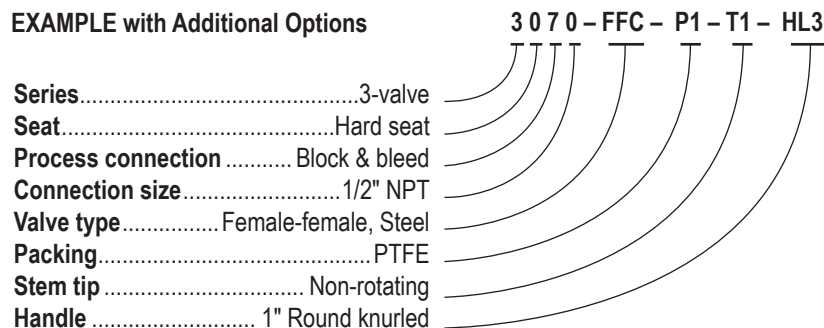
† If a packing option is chosen, maximum pressure rating is 6,000 psi. Refer to the "Pressure vs. Temperature: Packing Style with Compatible Fluid" chart at the back of this catalog.

\* Other o-ring materials available on request.

Please note that the standard o-ring in all the NOSHOK valves is FKM and the standard handles are block "T" handles (HL2) and bleed 1-3/8" mini "T" handle (HL7).

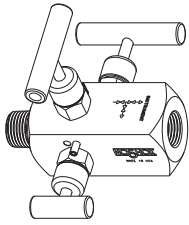
The handle material will always match the material of the valve, unless otherwise specified. For example, the "T" handle (HL2) on the 3070-FFC will be Steel. When only the standard configuration is needed, no additional designations are necessary. Please consult the factory for special application requests.

**EXAMPLE with Additional Options**

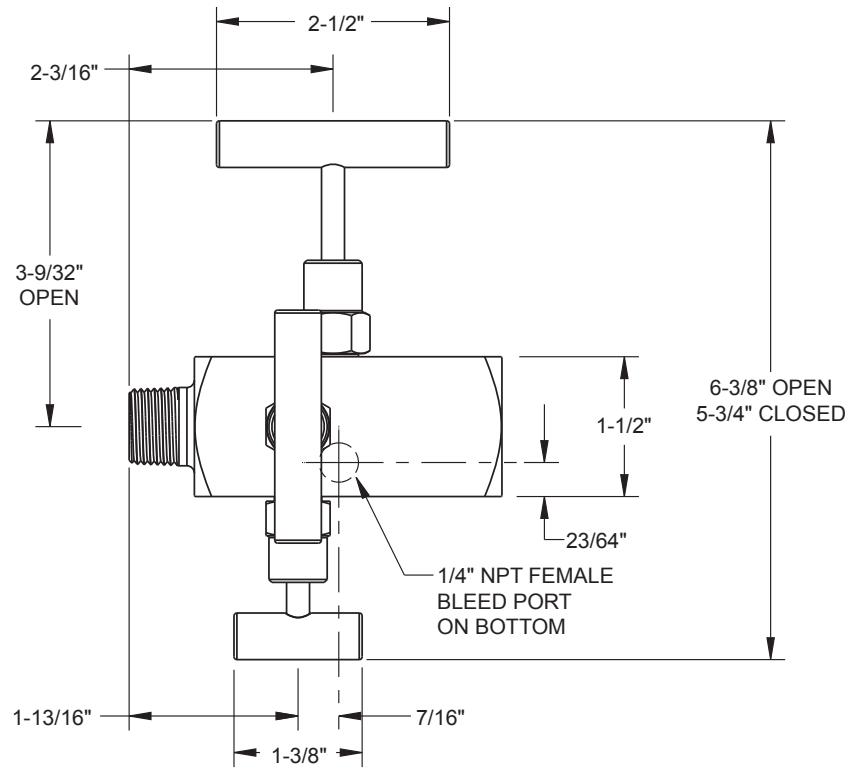


# Dimensions

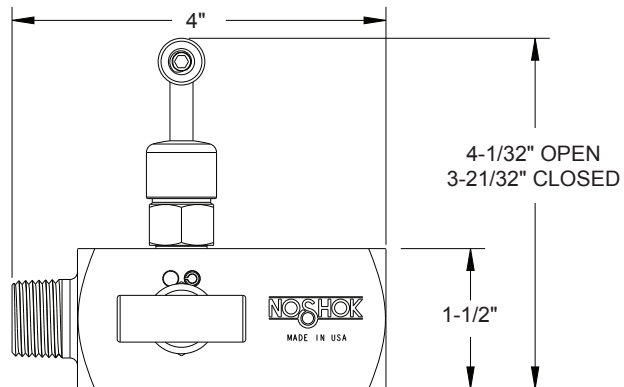
## Male-Female



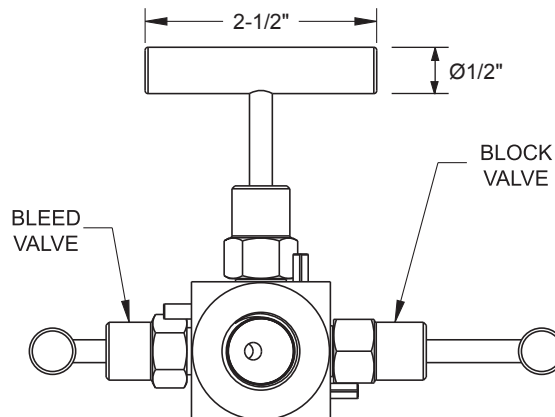
Top View



Front View

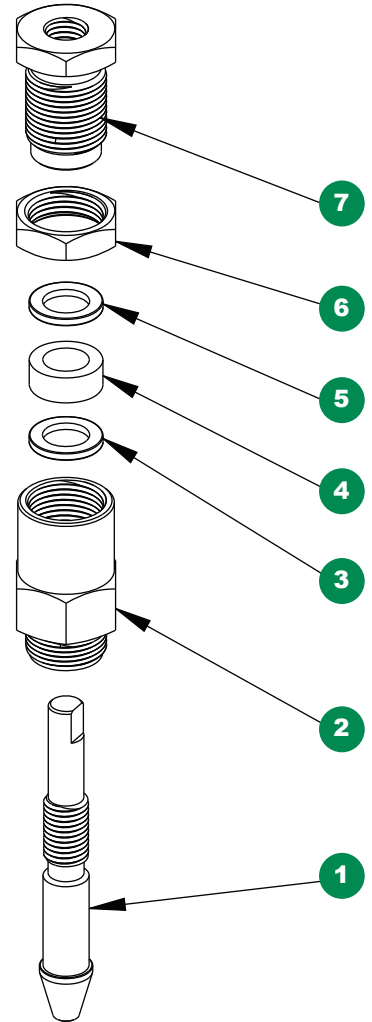
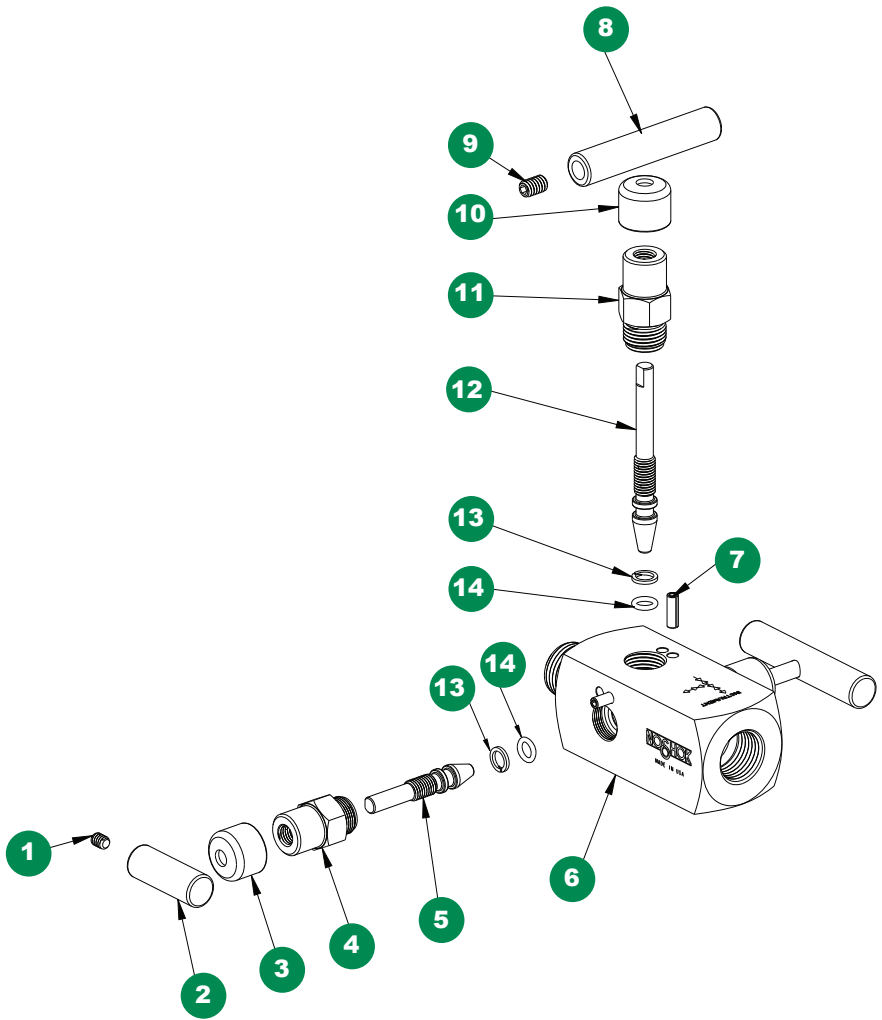


Side View



For panel mount, packing, & stem tip dimensions, see pgs. 64-67.

**Double Block & Bleed, Hard Seat** **Option With Packing**



- 1 Set screw
- 2 Mini valve "T" handle
- 3 Red dust cap
- 4 Mini valve bonnet
- 5 Mini valve stem
- 6 Valve body
- 7 Slotted spring pin
- 8 Valve "T" handle
- 9 Set screw
- 10 Blue dust cap
- 11 Valve bonnet
- 12 Valve stem
- 13 PTFE back-up ring
- 14 FKM o-ring

- 1 Mini valve packing stem and valve packing stem
- 2 Mini valve packing bonnet and valve packing bonnet
- 3 Packing washer
- 4 Packing
- 5 Packing washer
- 6 Jam nut
- 7 Packing adjustment screw