

# Vapor Actuated Remote

## 300/400/ 600/700 SERIES



- Indicates media temperature using a temperature-actuated liquid in the sensing element and a highly accurate, high quality pressure gauge
- As the media temperature increases, the capillary fill fluid vaporizes, increasing pressure in the Bourdon tube to activate the movement and pointer for proper indication
- Ranges available from -40 °F/C to 60 °F/C through 100 °F/C to 350 °F/C
- 2-1/2", 4", 4-1/2" and 6" sizes
- Brass, Stainless Steel, or Phenolic case
- Dry or liquid filled
- Bottom, back or lower back connected
- Mounting options: front or rear flange, bezel, and u-clamp
- Capillary material: Copper or Stainless Steel
- Bulb material & dimensions: Copper or Stainless Steel, 2-5/8" x 3/8" through 7-5/8" x 3/8"
- The dial scale graduations are non-linear, therefore the highest degree of accuracy and readability is found in the upper half of the scale

### APPLICATIONS

- Power transformers
- Paper mills
- Refineries
- Petrochemical
- Oil and gas
- Chemical
- HVAC/R
- Food processing
- Pharmaceutical

	SERIES	SPECIFICATIONS
<b>Lens</b>	300, 600, 700 Series 400 Series	Acrylic Instrument glass
<b>Pointer</b>	All	Aluminum, black finish
<b>Accuracy</b>	All	±2.0% full scale, Grade B, ASME B40.4
<b>Dial</b>	All	Aluminum, white background, dual scale, black Celsius scale and black Fahrenheit scale

For NOSHOK Vapor Remote Thermometers using 300, 600 & 900 Series Gauges:



**WARNING:** This product can expose you to chemicals including Lead, which is known to the State of California to cause cancer and birth defects or other reproductive harm. For more information go to [www.P65Warnings.ca.gov](http://www.P65Warnings.ca.gov)

For NOSHOK Vapor Remote Thermometers using 400 & 700 Series Gauges:



**WARNING:** This product can expose you to chemicals including Chromium (VI) and Nickel, which are known to the State of California to cause cancer and birth defects or other reproductive harm. For more information go to [www.P65Warnings.ca.gov](http://www.P65Warnings.ca.gov)

Thermowells are recommended for pressure, corrosive fluids and high velocity applications, see pages 46-48.

ORDERING INFORMATION			
<b>300 SERIES</b>	<b>25-300</b>	2-1/2", Brass case, bottom connection	<b>25-310</b> 2-1/2", Brass case, back connection
<b>400 SERIES</b>	<b>40-400</b>	4", all Stainless, bottom connection	<b>40-410</b> 4", all Stainless, back connection
	<b>60-400</b>	6", all Stainless, bottom connection	<b>60-410</b> 6", all Stainless, back connection
<b>600 SERIES</b>	<b>45-640</b>	4-1/2", Phenolic case/Brass bottom connection	
<b>700 SERIES</b>	<b>45-740</b>	4-1/2", Phenolic case/Stainless bottom connection	
<b>GAUGE FILL FLUIDS</b>	<b>0</b>	Dry gauge	<b>2</b> -40° service
	<b>1</b>	Glycerin	<b>3</b> Silicone
<b>MOUNTING OPTIONS</b>	<b>0</b>	None	<b>3</b> Rear flange <sup>2</sup>
	<b>1</b>	Chrome front flange <sup>1</sup>	<b>4</b> Bezel & u-clamp <sup>3</sup>
	<b>2</b>	Brass front flange <sup>1</sup>	<b>5</b> Stainless Steel front flange <sup>4</sup>
<b>TEMPERATURE RANGES</b>	<b>1</b>	-40 °F/°C to 60 °F/°C	<b>6</b> 30 °F/°C to 180 °F/°C
	<b>2</b>	-20 °F/°C to 120 °F/°C	<b>7</b> 30 °F/°C to 240 °F/°C
	<b>3</b>	0 °F/°C to 250 °F/°C	<b>8</b> 30 °F/°C to 300 °F/°C
	<b>4</b>	0 °F/°C to 300 °F/°C	<b>9</b> 50 °F/°C to 350 °F/°C
	<b>5</b>	20 °F/°C to 220 °F/°C	<b>10</b> 100 °F/°C to 350 °F/°C
<b>CAPILLARY TYPES/MATERIALS</b>	<b>1</b>	Plain Copper	<b>3</b> Plain Stainless Steel
	<b>2</b>	Armored Copper	<b>4</b> Armored Stainless Steel
<b>CAPILLARY LENGTH</b>	<b>##</b>	Specify in feet	
<b>BULB STYLES/MATERIALS</b>	<b>1</b>	Plain Copper	<b>3</b> 1/2" NPT union Copper
	<b>2</b>	Plain Stainless Steel	<b>4</b> 1/2" NPT union Stainless Steel
<b>BULB DIMENSIONS</b>	<b>1</b>	2-5/8" x 3/8"	<b>6</b> 4" x 3/8"
	<b>2</b>	4-1/2" x 3/8"	<b>7</b> 9" x 3/8"
	<b>3</b>	8" x 3/8"	<b>8</b> 7-5/8" x 3/8"
	<b>4</b>	3-1/2" x 3/8"	<b>15</b> 6" x 1/2" <sup>5</sup>
	<b>5</b>	6" x 3/8"	

Please consult your local NOSHOK Distributor or NOSHOK, Inc. for availability and delivery information.

\* Not available for gauge sizes ≥4" or ≥16' capillary

<sup>1</sup> Only available on 300 Series

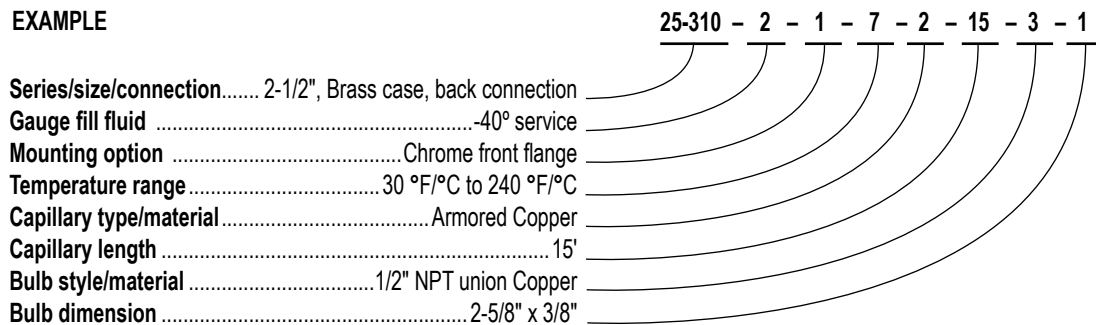
<sup>2</sup> Not available on 600/700 Series

<sup>3</sup> Only available on back connection case types

<sup>4</sup> Only available on 400 Series

<sup>5</sup> 4" gauge or larger requires 6" bulb

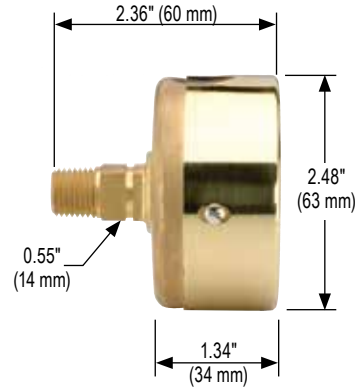
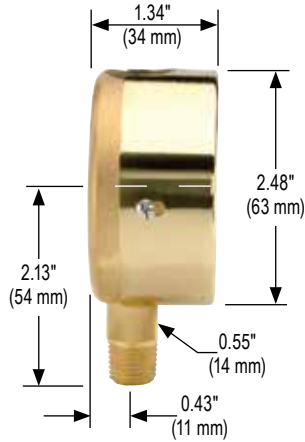
**EXAMPLE**



# Dimensions

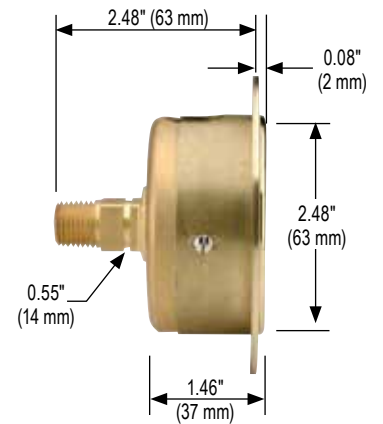
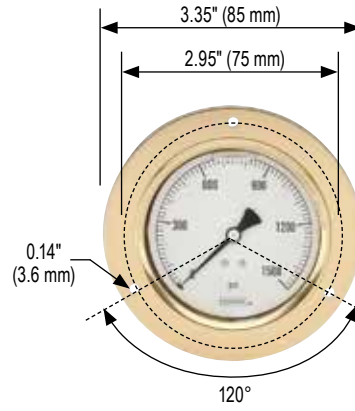
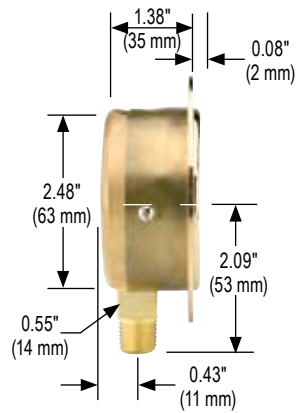
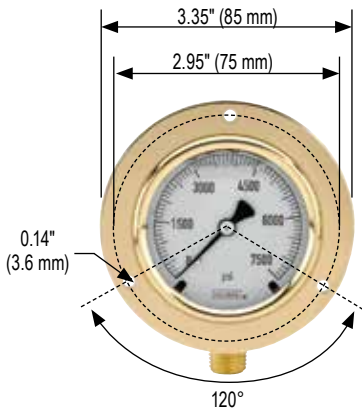
25-300

25-310

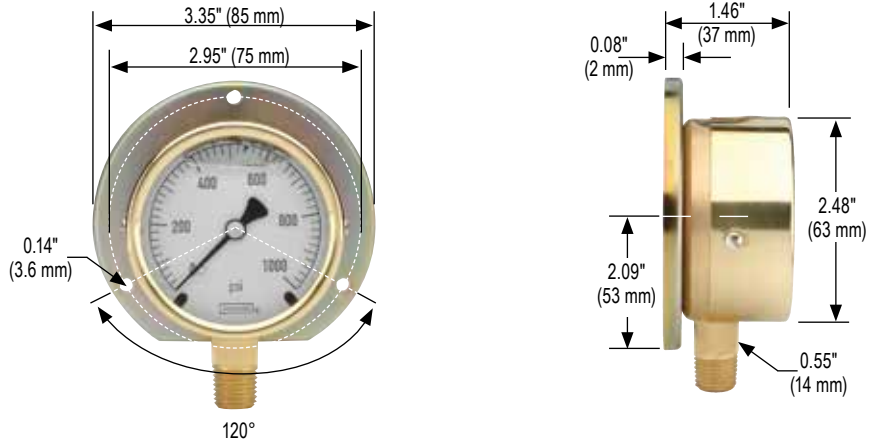


25-300 Front Flange

25-310 Front Flange

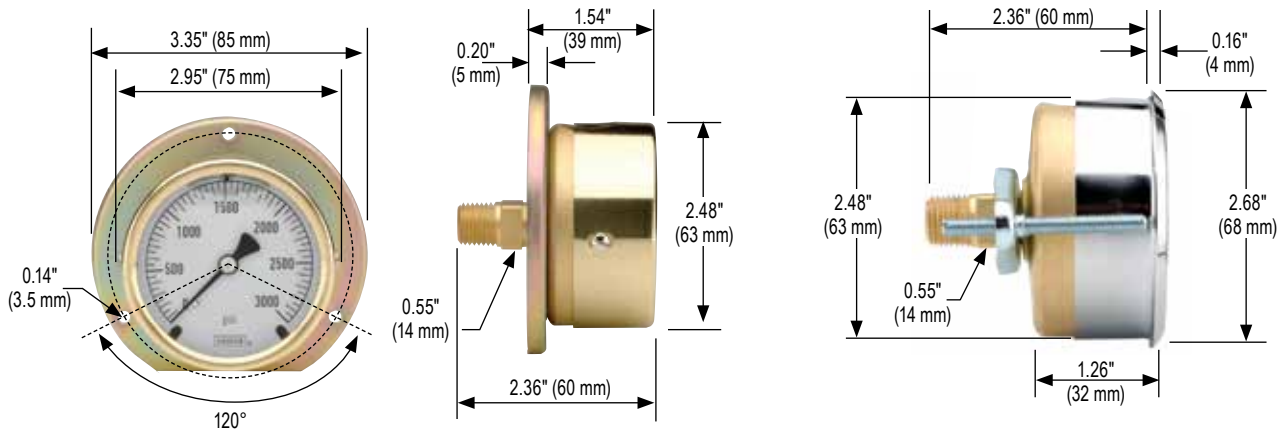


## 25-300 Rear Flange



## 25-310 Rear Flange

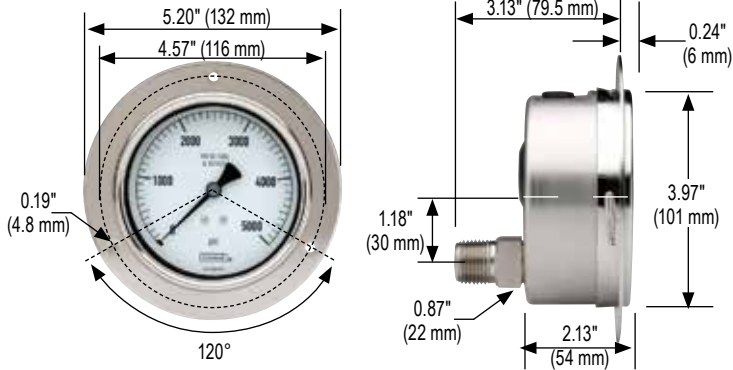
## 25-310 Chrome Bezel with U-Clamp



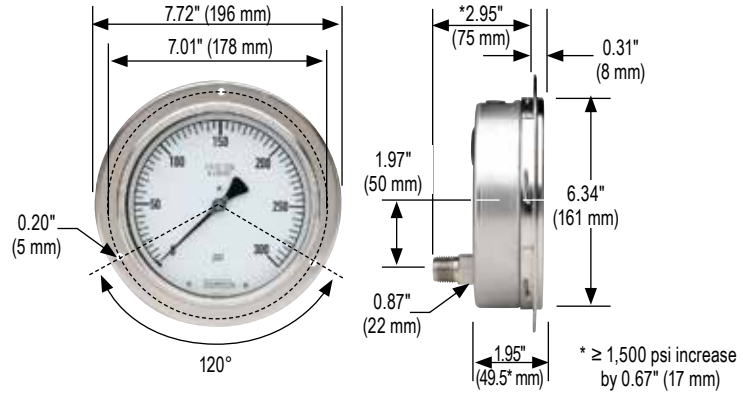


# 300/400/600/700 SERIES DIMENSIONS

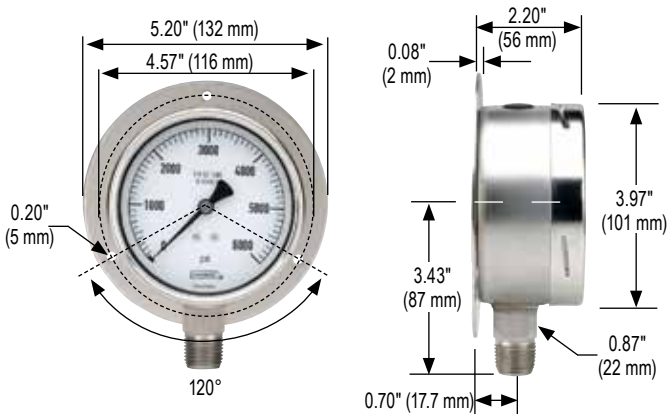
## 40-410 Front Flange



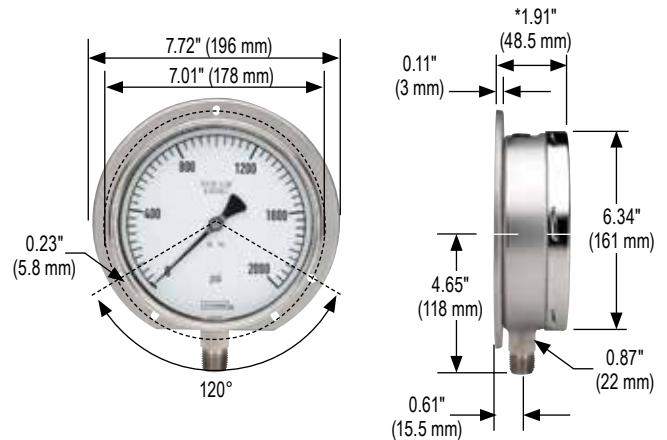
## 60-410 Front Flange



## 40-400 Rear Flange

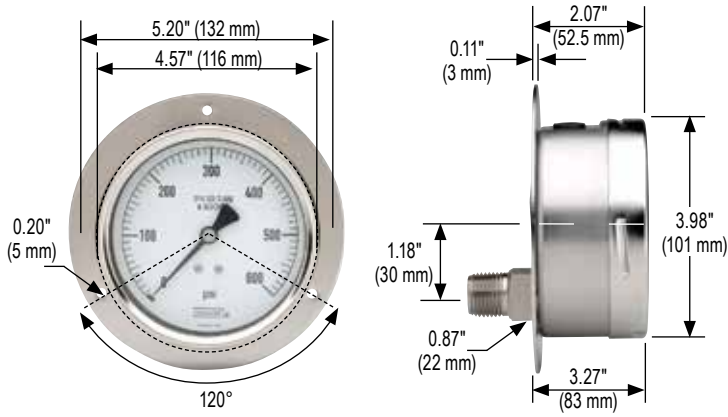


## 60-400 Rear Flange

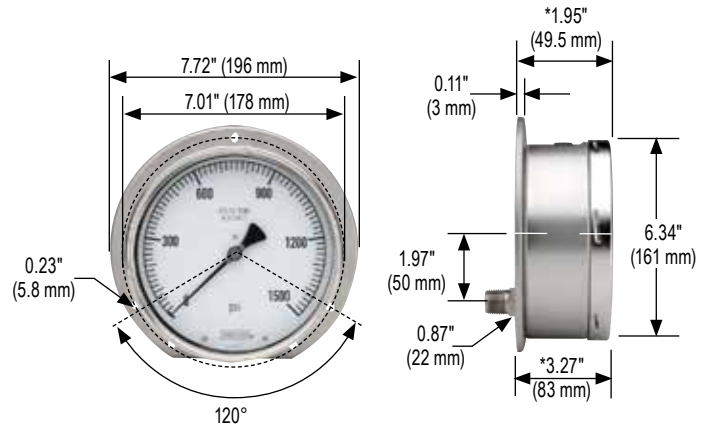


# Dimensions

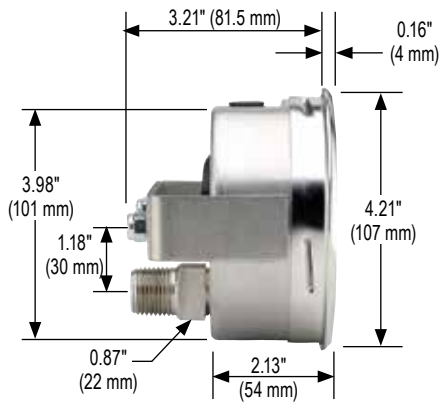
## 40-410 Rear Flange



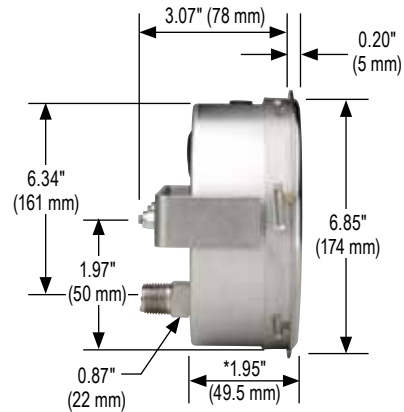
## 60-410 Rear Flange



## 40-410/510 SS Bezel w/U-Clamp



## 60-410 SS Bezel w/U-Clamp



# 300/400/600/700 SERIES DIMENSIONS

## 45-640 & 45-740

