

Bimetal, Industrial Type

100 SERIES



- Heavy-duty, industrial thermometer featuring a weather-resistant, tamper-proof case
- Single °F, single °C, and dual scale options available
- Accuracy: ±1% full scale, Grade A, ASME B40.3
- 1-3/4", 2", 3" and 5" sizes - center back connection only
- 304 Stainless Steel case and bezel
- Standard stem lengths 2-1/2" through 42"
- Highly sensitive bimetallic helix coil is heat-treated for stress relief, and silicone-coated to minimize pointer vibration and maximize heat transfer and response time
- 360° groove around stem is a visual reference to show minimum immersion point
- Made in the U.S.A.

APPLICATIONS

Used in almost every area of manufacturing, especially suited for applications in the following areas:

- Industrial process
- Petrochemical
- Food & beverage processing
- Commercial
- Wastewater

	SERIES	SPECIFICATIONS
Case & bezel	All 100 Series	304 Stainless Steel; 316 Stainless Steel optional
Lens	All 100 Series	Instrument glass
Pointer	All 100 Series	Aluminum, black finish
Stem diameter	18-110 20-110, 30-110, 50-110	.150" (3.81 mm) .250" (6.35 mm)
Accuracy	All 100 Series	±1% full scale, Grade A, ASME B40.3
Dial	All 100 Series	Anodized Aluminum with large black numbers and graduations
Process connection	18-110 20-110 30-110, 50-110	1/4" NPT, 1/8" and 3/8" NPT optional 1/4" NPT 1/2" NPT
Wetted parts	All 100 Series	304 Stainless Steel; 316 Stainless Steel optional
Hermetic seal	All 100 Series	Per ASME B40.3 dustproof and leakproof
Bimetal coil	All 100 Series	Silicone coated helix coil on ranges below 500 °F for vibration dampening, maximum heat transfer and response time
Over temperature limits	All 100 Series	Up to 250 °F 100%; 250 °F to 550 °F 50%; 550 °F to 1,000 °F continuous use up to 800 °F; intermittent use over 800 °F

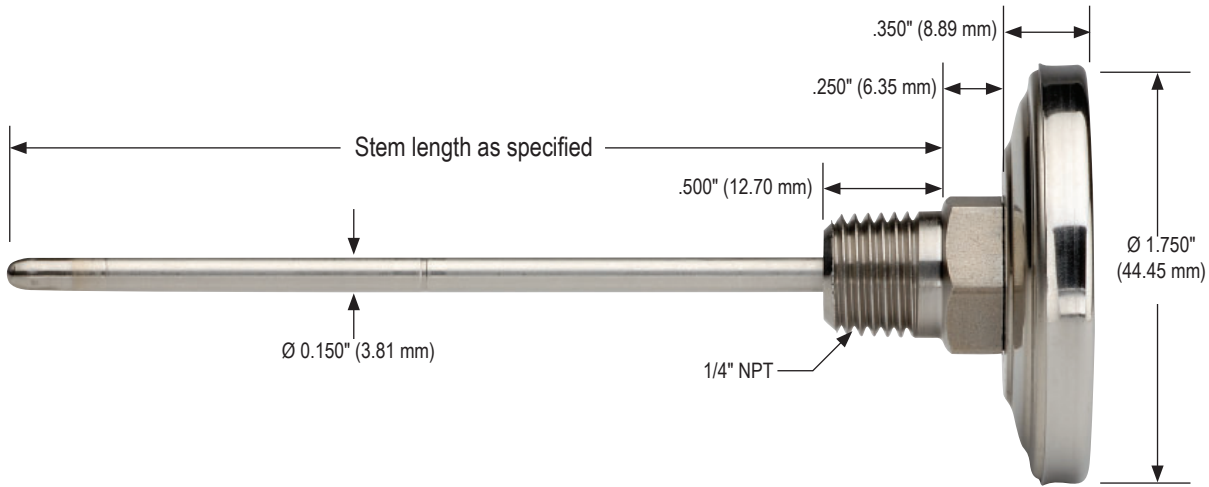


WARNING: This product can expose you to chemicals including Chromium (VI) and Nickel, which are known to the State of California to cause cancer and birth defects or other reproductive harm. For more information go to www.P65Warnings.ca.gov

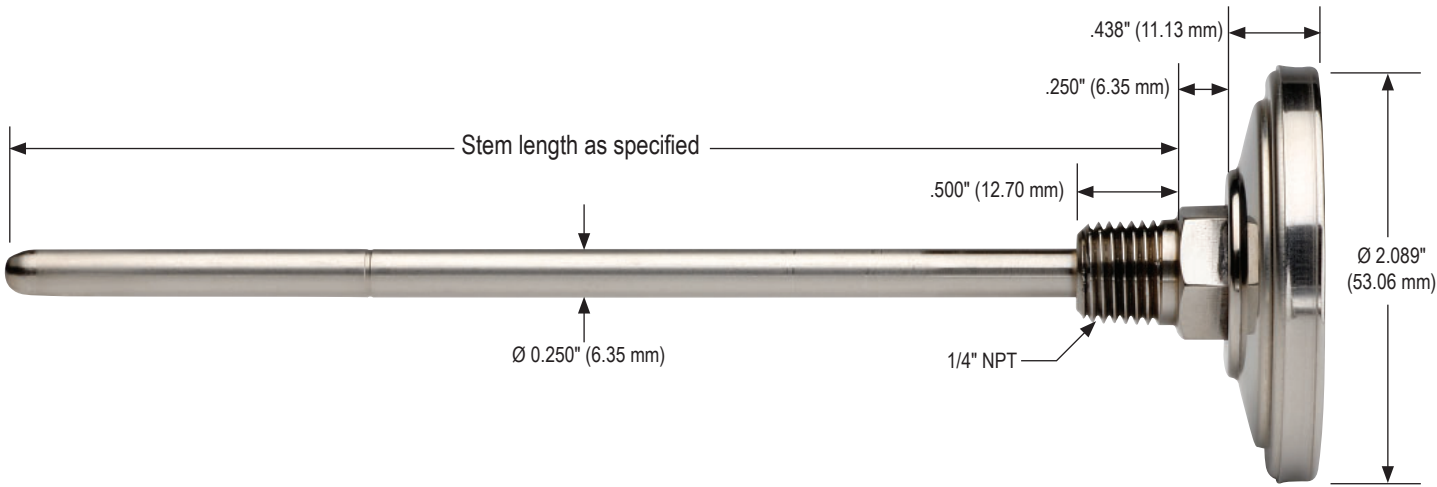
Thermowells are recommended for pressure, corrosive fluids and high velocity applications, see pages 46-48.

Dimensions

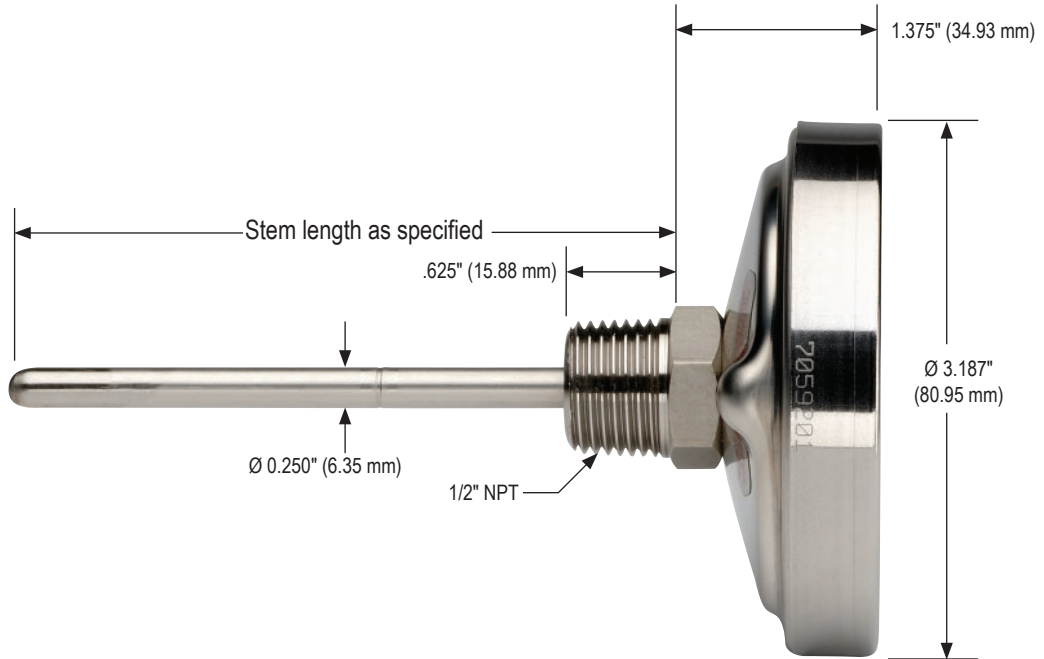
18-110



20-110



30-110



50-110

